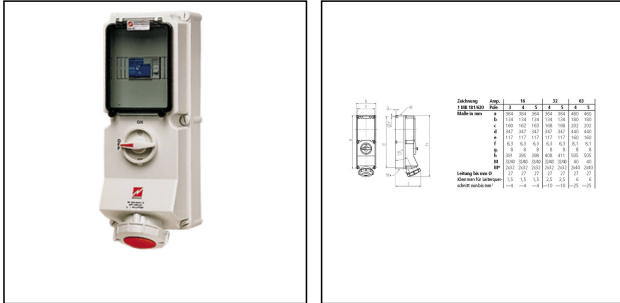


SO-32A-FS-440V-4P-3H-IP67-K02-C01-A04

CEE Wall mounted receptacle switched, 32A 440V 3h, plastic, IP67



Products may differ in size, colour and appearance to those shown. If you require further information or customisation, please contact us directly.

WISKA-Order no.	50101550
Type	SO-32A-FS-440V-4P-3H-IP67-K02-C01-A04
Material	Plastic
Current	32 A
Voltage max. (V)	440 V
Protection class	IP67
Number of sockets	1
Temp. range min	-25 °C
Temp. range max	45 °C
Clock face position	3h
Socket insert	3 - poles + PE
Mounting	Surface mounting
Weight	2,07 kg
Tariff number	85366990

Remarks:

Contact: nickel plated contacts, highly
 heat resistant contact carrier
 Connection technology: Screw terminals

- switched
- mechanical DUO-interlock
- DIN rail
- receptacles can be padlocked
- without cable glands

Pre-stamping for cable entry:

Your Contact:

WISKA India Pvt. Ltd.

Mr. Omkar Ashar · Unit No.247/248,Raheja Tesla Industrial District II , Edison Bldg No.-1A,
 Plot No.GEN2/1/C/PART, TTC Industrial Area, MIDC, Juinagar, Navi Mumbai 400705, India

☎ +91-22-4967-1438 · ☎ +91-22-4967-1439 · o.ashar@wiska.in · www.wiska.in



3x M32

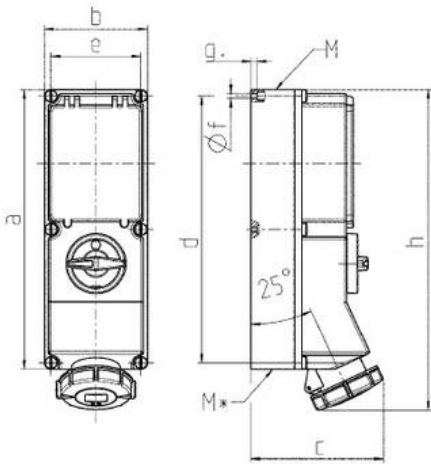
12.05.2026

Your Contact:

WISKA India Pvt. Ltd.

Mr. Omkar Ashar · Unit No.247/248,Raheja Tesla Industrial District II , Edison Bldg No.-1A,
Plot No.GEN2/1/C/PART, TTC Industrial Area, MIDC, Juinagar, Navi Mumbai 400705, India

 +91-22-4967-1438 ·  +91-22-4967-1439 · o.ashar@wiska.in · www.wiska.in



Zeichnung	Amp. Pole	16			32		63	
		3	4	5	4	5	4	5
1 MB 181/620								
Maße in mm								
a		364	364	364	364	364	460	460
b		134	134	134	134	134	180	180
c		160	162	163	168	168	202	202
d		347	347	347	347	347	440	440
e		117	117	117	117	117	160	160
f		6,3	6,3	6,3	6,3	6,3	8,1	8,1
g		8	8	8	8	8	8	8
h		391	395	398	408	411	505	505
M		32/40	32/40	32/40	32/40	32/40	40	40
M*		2x32	2x32	2x32	2x32	2x32	2x40	2x40
Leitung bis mm Ø		27	27	27	27	27	27	27
Klemmen für Leiterquerschnitt von bis mm²		1,5	1,5	1,5	2,5	2,5	6	6
		-4	-4	-4	-10	-10	-25	-25

Your Contact:

WISKA India Pvt. Ltd.

Mr. Omkar Ashar · Unit No.247/248,Raheja Tesla Industrial District II , Edison Bldg No.-1A,
Plot No.GEN2/1/C/PART, TTC Industrial Area, MIDC, Juinagar, Navi Mumbai 400705, India

☎ +91-22-4967-1438 · ☎ +91-22-4967-1439 · o.ashar@wiska.in · www.wiska.in