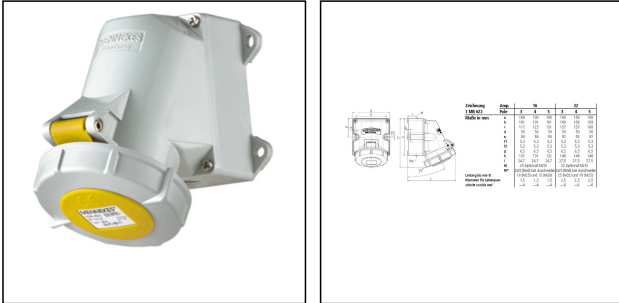


## SO-16A-FS-110V-3P-4H-IP67-K03-C02

CEE Wall mounted receptacle, 16A 110V 4h, plastic, IP67



Products may differ in size, colour and appearance to those shown. If you require further information or customisation, please contact us directly.

<b>WISKA-Order no.</b>	50104347
<b>Type</b>	SO-16A-FS-110V-3P-4H-IP67-K03-C02
<b>Material</b>	Plastic
<b>Current</b>	16 A
<b>Voltage max. (V)</b>	110 V
<b>Protection class</b>	IP67
<b>Number of sockets</b>	1
<b>Temp. range min</b>	-25 °C
<b>Temp. range max</b>	45 °C
<b>Clock face position</b>	4h
<b>Socket insert</b>	2 - poles + PE
<b>Type of cable gland</b>	M 25 x 1,5
<b>Mounting</b>	Surface mounting
<b>Weight</b>	1,2 kg
<b>Tariff number</b>	85366990

Remarks:

Contact: standard

Connection technology: screwless spring terminals - TwinCONTACT

- suitable for through wiring
- with 4 external fixing points
- one cable entry at top and one blind entry (can be cut out) at bottom
- receptacles are designed for adding an auxiliary contact switch
- without cable glands

Your Contact:

**WISKA India Pvt. Ltd.**

Mr. Omkar Ashar · Unit No.247/248,Raheja Tesla Industrial District II , Edison Bldg No.-1A,  
Plot No.GEN2/1/C/PART, TTC Industrial Area, MIDC, Juinagar, Navi Mumbai 400705, India

☎ +91-22-4967-1438 · ☎ +91-22-4967-1439 · o.ashar@wiska.in · www.wiska.in

**Pre-stamping for cable entry**



**M25**

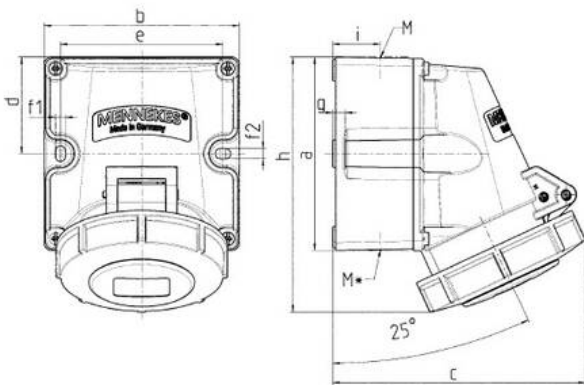
12.05.2026

Your Contact:

**WISKA India Pvt. Ltd.**

Mr. Omkar Ashar · Unit No.247/248,Raheja Tesla Industrial District II , Edison Bldg No.-1A,  
Plot No.GEN2/1/C/PART, TTC Industrial Area, MIDC, Juinagar, Navi Mumbai 400705, India

 +91-22-4967-1438 ·  +91-22-4967-1439 · o.ashar@wiska.in · www.wiska.in



Zeichnung	Amp. Pole	16			32		
		3	4	5	3	4	5
<b>1 MB 622</b>							
<b>Maße in mm</b>							
a		100	100	100	100	100	100
b		101	101	101	109	109	109
c		117	125	131	157	157	160
d		50	50	50	50	50	50
e		84	84	84	92	92	92
f1		5,3	5,3	5,3	5,3	5,3	5,3
f2		5,3	5,3	5,3	5,3	5,3	5,3
g		6,5	6,5	6,5	6,5	6,5	6,5
h		131	131	132	148	148	148
i		24,7	24,7	24,7	27,5	27,5	27,5
M		25 (optional M20)			32 (optional M25)		
M*		2x25 (blind) zum Ausschneiden			2x25 (blind) zum Ausschneiden		
Leitung bis mm Ø		18 (M25) und 15 (M20)			25 (M32) und 18 (M25)		
Klemmen für Leiterquerschnitt von bis mm <sup>2</sup>		1,5	1,5	1,5	2,5	2,5	2,5
		-4	-4	-4	-6	-6	-6

Your Contact:

**WISKA India Pvt. Ltd.**

Mr. Omkar Ashar · Unit No.247/248,Raheja Tesla Industrial District II , Edison Bldg No.-1A,  
Plot No.GEN2/1/C/PART, TTC Industrial Area, MIDC, Juinagar, Navi Mumbai 400705, India

☎ +91-22-4967-1438 · ☎ +91-22-4967-1439 · o.ashar@wiska.in · www.wiska.in