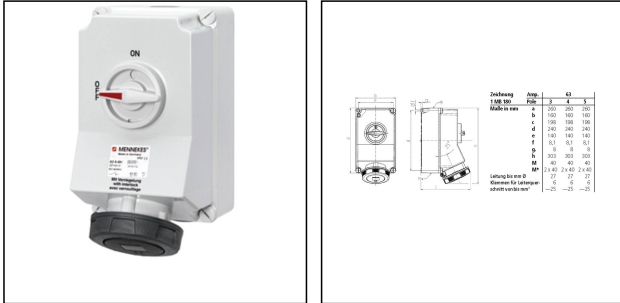


# SO-63A-FS-400V-4P-6H-IP67-K03-C03-A02

CEE Wall mounted receptacle switched, 63A 400V 6h, plastic, IP67



Products may differ in size, colour and appearance to those shown. If you require further information or customisation, please contact us directly.

<b>WISKA-Order no.</b>	50106671
<b>Type</b>	SO-63A-FS-400V-4P-6H-IP67-K03-C03-A02
<b>Material</b>	Plastic
<b>Current</b>	63 A
<b>Voltage max. (V)</b>	400 V
<b>Protection class</b>	IP67
<b>Number of sockets</b>	1
<b>Temp. range min</b>	-25 °C
<b>Temp. range max</b>	45 °C
<b>Clock face position</b>	6h
<b>Socket insert</b>	3 - poles + PE
<b>Operational areas</b>	Outdoor, Engine room, Indoor work space
<b>Mounting</b>	Surface mounting
<b>Weight</b>	2,5 kg
<b>Variations</b>	on request
<b>Tariff number</b>	85366990

Remarks:

Contact: standard

Connection technology: Screw terminals - SoftCONTACT

- can be switched off
- DUO-mechanical interlock
- made of plastic
- receptacles can be padlocked
- without cable glands

Your Contact:

**WISKA India Pvt. Ltd.**

Mr. Omkar Ashar · Unit No.247/248,Raheja Tesla Industrial District II , Edison Bldg No.-1A,  
Plot No.GEN2/1/C/PART, TTC Industrial Area, MIDC, Juinagar, Navi Mumbai 400705, India

☎ +91-22-4967-1438 · ☎ +91-22-4967-1439 · o.ashar@wiska.in · www.wiska.in

**Pre-stamping for cable entry:**



**3x M40**

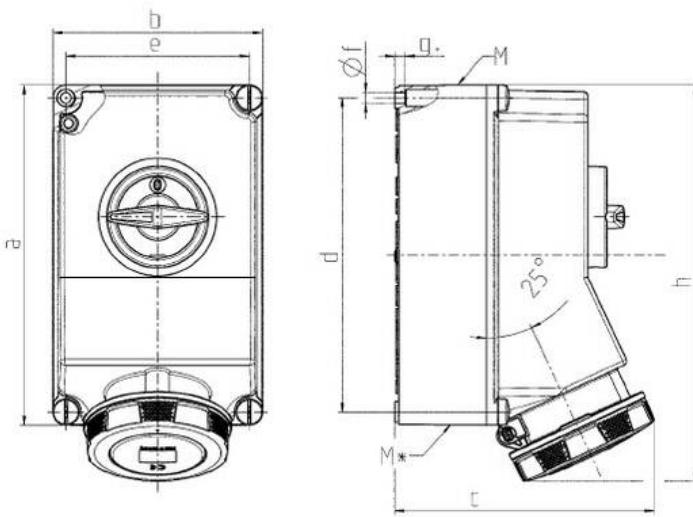
12.05.2026

Your Contact:

**WISKA India Pvt. Ltd.**

Mr. Omkar Ashar · Unit No.247/248,Raheja Tesla Industrial District II , Edison Bldg No.-1A,  
Plot No.GEN2/1/C/PART, TTC Industrial Area, MIDC, Juinagar, Navi Mumbai 400705, India

 +91-22-4967-1438 ·  +91-22-4967-1439 · o.ashar@wiska.in · www.wiska.in



Zeichnung 1 MB 180	Amp. Pole	63		
		3	4	5
Maße in mm	<b>a</b>	260	260	260
	<b>b</b>	160	160	160
	<b>c</b>	198	198	198
	<b>d</b>	240	240	240
	<b>e</b>	140	140	140
	<b>f</b>	8,1	8,1	8,1
	<b>g</b>	8	8	8
	<b>h</b>	303	303	303
	<b>M</b>	40	40	40
	<b>M*</b>	2 x 40	2 x 40	2 x 40
Leitung bis mm Ø		27	27	27
Klemmen für Leiterquer- schnitt von bis mm <sup>2</sup>		6	6	6
		—25	—25	—25

Your Contact:

**WISKA India Pvt. Ltd.**

Mr. Omkar Ashar · Unit No.247/248,Raheja Tesla Industrial District II , Edison Bldg No.-1A,  
Plot No.GEN2/1/C/PART, TTC Industrial Area, MIDC, Juinagar, Navi Mumbai 400705, India

☎ +91-22-4967-1438 · ☎ +91-22-4967-1439 · o.ashar@wiska.in · www.wiska.in