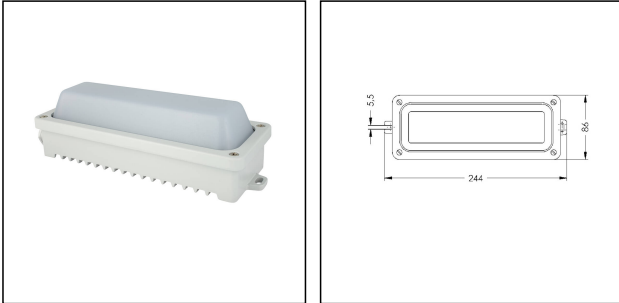



## PL-Luminaire LED 3W 97430715612DC

LED Multi-purpose luminaire 3W 12V DC, Aluminium RAL 7035, Cover opal, IP67



Products may differ in size, colour and appearance to those shown. If you require further information or customisation, please contact us directly.



<b>WISKA-Order no.</b>	50106673
<b>Type</b>	PL-Luminaire LED 3W 97430715612DC
<b>Material</b>	Cast aluminium
<b>Material globe/diffuser</b>	Polycarbonate
<b>Globe colour</b>	Opal
<b>Wattage</b>	3 W
<b>Voltage</b>	12 V
<b>Type of Voltage</b>	DC
<b>Temp. range min</b>	-25 °C
<b>Temp. range max</b>	45 °C
<b>Lightsource</b>	LED
<b>Lightsource incl.</b>	Yes
<b>Luminous flux</b>	230 lm
<b>Power supply, electronic</b>	Low voltage 12VDC
<b>Type of cable gland</b>	PG16 / 12-14mm
<b>Ø cable diameter min</b>	12 mm
<b>Ø cable diameter max</b>	14 mm
<b>Using for cable gland</b>	
<b>Equipment</b>	Aluminium pressure screws PG16
<b>Mounting</b>	Surface mounting, Ceiling, Wall
<b>Colour</b>	RAL 7035
<b>External dimensions LxWxH</b>	244x86x69mm
<b>Weight</b>	0,74 kg
<b>Surface</b>	Powder coated
<b>Approval</b>	SGS

Your Contact:

WISKA India Pvt. Ltd.

Mr. Omkar Ashar · Unit No.247/248, Raheja Tesla Industrial District II , Edison Bldg No.-1A,  
Plot No.GEN2/1/C/PART, TTC Industrial Area, MIDC, Juinagar, Navi Mumbai 400705, India

☎ +91-22-4967-1438 · ☎ +91-22-4967-1439 · o.ashar@wiska.in · www.wiska.in

**Remarks:**

- with inbuilt LED module
- luminous flux 229 lm
- 2 aluminium cable gland seals PG16 O=

**Spare parts**

<b>SP-H042002 Lamp cover opal</b>	<b>22000537</b>
<b>H542150 Sealing PL-Luminaires - SE</b>	<b>50045626</b>

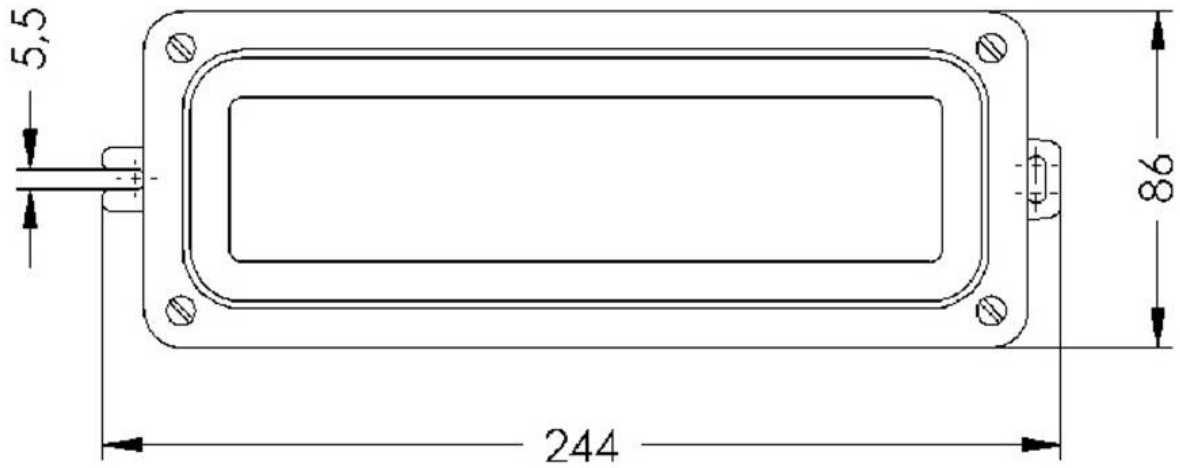
12.05.2026

**Your Contact:**

**WISKA India Pvt. Ltd.**

Mr. Omkar Ashar · Unit No.247/248,Raheja Tesla Industrial District II , Edison Bldg No.-1A,  
Plot No.GEN2/1/C/PART, TTC Industrial Area, MIDC, Juinagar, Navi Mumbai 400705, India

☎ +91-22-4967-1438 · ☎ +91-22-4967-1439 · o.ashar@wiska.in · www.wiska.in



Your Contact:

**WISKA India Pvt. Ltd.**

Mr. Omkar Ashar · Unit No.247/248,Raheja Tesla Industrial District II , Edison Bldg No.-1A,  
Plot No.GEN2/1/C/PART, TTC Industrial Area, MIDC, Juinagar, Navi Mumbai 400705, India

☎ +91-22-4967-1438 · ☎ +91-22-4967-1439 · o.ashar@wiska.in · www.wiska.in