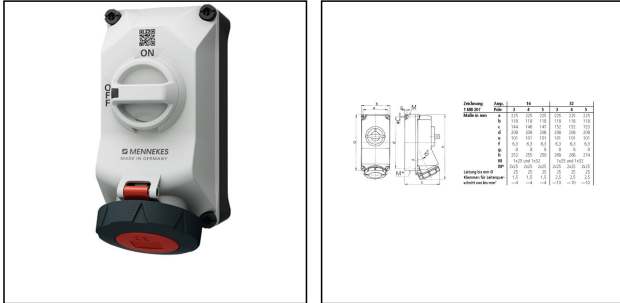


SO-16A-FS-400V-4P-6H-IP67-K03-C01-A02

CEE Wall mounted receptacle switched, 16A 400V 6h, plastic, IP67



Products may differ in size, colour and appearance to those shown. If you require further information or customisation, please contact us directly.

WISKA-Order no.	50106787
Type	SO-16A-FS-400V-4P-6H-IP67-K03-C01-A02
Material	Plastic
Current	16 A
Voltage max. (V)	400 V
Protection class	IP67
Number of sockets	1
Temp. range min	-25 °C
Temp. range max	45 °C
Clock face position	6h
Socket insert	3 - poles + PE
Mounting	Surface mounting
Weight	0,98 kg
Variations	on request
Tariff number	85366990

Remarks:

Contact: standard

Connection technology: Screw terminals

- can be switched off
- with DUO-mechanical interlock
- made of plastic
- receptacles can be padlocked
- without cable glands

Pre-stamping for cable entry:

Your Contact:

WISKA India Pvt. Ltd.

Mr. Omkar Ashar · Unit No.247/248,Raheja Tesla Industrial District II , Edison Bldg No.-1A,
Plot No.GEN2/1/C/PART, TTC Industrial Area, MIDC, Juinagar, Navi Mumbai 400705, India

☎ +91-22-4967-1438 · ☎ +91-22-4967-1439 · o.ashar@wiska.in · www.wiska.in



1x M25 and 1x M32

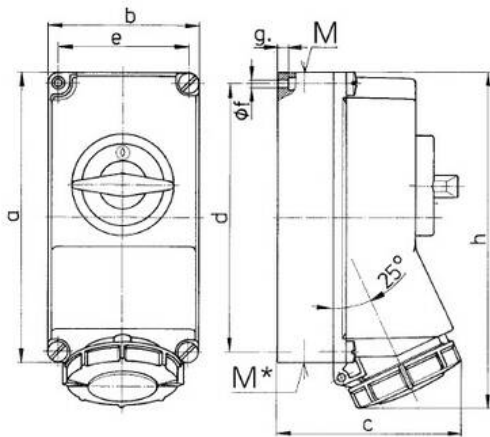
12.05.2026

Your Contact:

WISKA India Pvt. Ltd.

Mr. Omkar Ashar · Unit No.247/248,Raheja Tesla Industrial District II , Edison Bldg No.-1A,
Plot No.GEN2/1/C/PART, TTC Industrial Area, MIDC, Juinagar, Navi Mumbai 400705, India

 +91-22-4967-1438 ·  +91-22-4967-1439 · o.ashar@wiska.in · www.wiska.in



Zeichnung	Amp. Pole	16			32		
		3	4	5	3	4	5
1 MB 207							
Maße in mm							
a		225	225	225	225	225	225
b		118	118	118	118	118	118
c		144	146	147	152	152	153
d		208	208	208	208	208	208
e		101	101	101	101	101	101
f		6,3	6,3	6,3	6,3	6,3	6,3
g		8	8	8	8	8	8
h		252	255	259	268	268	274
M		1x25 und 1x32			1x25 und 1x32		
M*		2x25	2x25	2x25	2x25	2x25	2x25
Leitung bis mm Ø		25	25	25	25	25	25
Klemmen für Leiterquerschnitt von bis mm ²		1,5	1,5	1,5	2,5	2,5	2,5
		—4	—4	—4	—10	—10	—10

Your Contact:

WISKA India Pvt. Ltd.

Mr. Omkar Ashar · Unit No.247/248,Raheja Tesla Industrial District II , Edison Bldg No.-1A,
Plot No.GEN2/1/C/PART, TTC Industrial Area, MIDC, Juinagar, Navi Mumbai 400705, India

☎ +91-22-4967-1438 · ☎ +91-22-4967-1439 · o.ashar@wiska.in · www.wiska.in