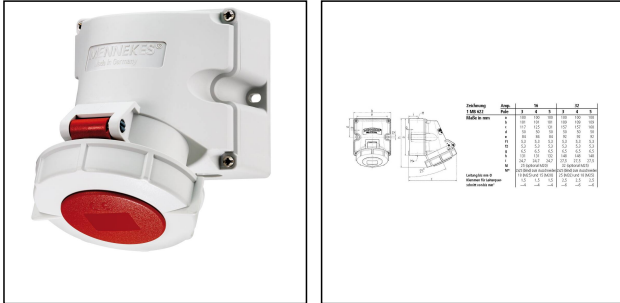


SO-32A-FS-440V-4P-3H-IP67-K02-C01

CEE Wall mounted receptacle, 32A 440V 3h, plastic, IP67



Products may differ in size, colour and appearance to those shown. If you require further information or customisation, please contact us directly.

WISKA-Order no.	50107465
Type	SO-32A-FS-440V-4P-3H-IP67-K02-C01
Material	Plastic
Current	32 A
Voltage max. (V)	440 V
Protection class	IP67
Number of sockets	1
Temp. range min	-25 °C
Temp. range max	45 °C
Clock face position	3h
Socket insert	3 - poles + PE
Mounting	Surface mounting
Weight	0,5 kg
Tariff number	85366990

Remarks:

Contact: nickel plated contacts, highly
 heat resistant contact carrier
 Connection technology: Screw terminals

- Lower part of housing can be rotated through 180°
- without cable glands

Pre-stamping for cable entry:

3x M25

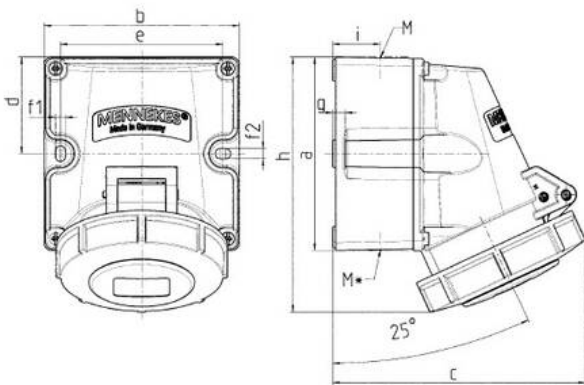
12.05.2026

Your Contact:

WISKA India Pvt. Ltd.

Mr. Omkar Ashar · Unit No.247/248,Raheja Tesla Industrial District II , Edison Bldg No.-1A,
 Plot No.GEN2/1/C/PART, TTC Industrial Area, MIDC, Juinagar, Navi Mumbai 400705, India

☎ +91-22-4967-1438 · ☎ +91-22-4967-1439 · o.ashar@wiska.in · www.wiska.in



Zeichnung	Amp. Pole	16			32		
		3	4	5	3	4	5
1 MB 622							
Maße in mm							
a		100	100	100	100	100	100
b		101	101	101	109	109	109
c		117	125	131	157	157	160
d		50	50	50	50	50	50
e		84	84	84	92	92	92
f1		5,3	5,3	5,3	5,3	5,3	5,3
f2		5,3	5,3	5,3	5,3	5,3	5,3
g		6,5	6,5	6,5	6,5	6,5	6,5
h		131	131	132	148	148	148
i		24,7	24,7	24,7	27,5	27,5	27,5
M		25 (optional M20)			32 (optional M25)		
M*		2x25 (blind) zum Ausschneiden			2x25 (blind) zum Ausschneiden		
Leitung bis mm Ø		18 (M25) und 15 (M20)			25 (M32) und 18 (M25)		
Klemmen für Leiterquerschnitt von bis mm ²		1,5	1,5	1,5	2,5	2,5	2,5
		-4	-4	-4	-6	-6	-6

Your Contact:

WISKA India Pvt. Ltd.

Mr. Omkar Ashar · Unit No.247/248,Raheja Tesla Industrial District II , Edison Bldg No.-1A,
Plot No.GEN2/1/C/PART, TTC Industrial Area, MIDC, Juinagar, Navi Mumbai 400705, India

☎ +91-22-4967-1438 · ☎ +91-22-4967-1439 · o.ashar@wiska.in · www.wiska.in