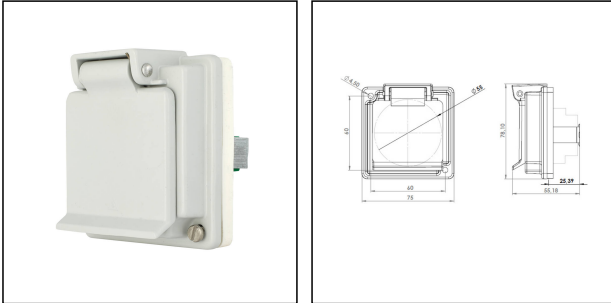


Schuko-Surfacesocket 2401856 - SE

Flush mounting SCHUKO-socket, 230V



Products may differ in size, colour and appearance to those shown. If you require further information or customisation, please contact us directly.

| | |
|----------------------------------|-----------------------------------|
| WISKA-Order no. | 50108046 |
| Type | Schuko-Surfacesocket 2401856 - SE |
| Voltage | 250 V |
| Current | 16 A |
| Protection class | IP44 |
| Material | Cast aluminium |
| External dimensions LxWxH | 75x75x55mm |
| Temp. range min | -30 °C |
| Temp. range max | 90 °C |
| Socket insert | SCHUKO |
| Terminals/poles | 2-pole + E |
| Weight | 0,26 kg |
| Colour | RAL 7032 |
| Mounting | Recessed mounting |
| Variations | on request |

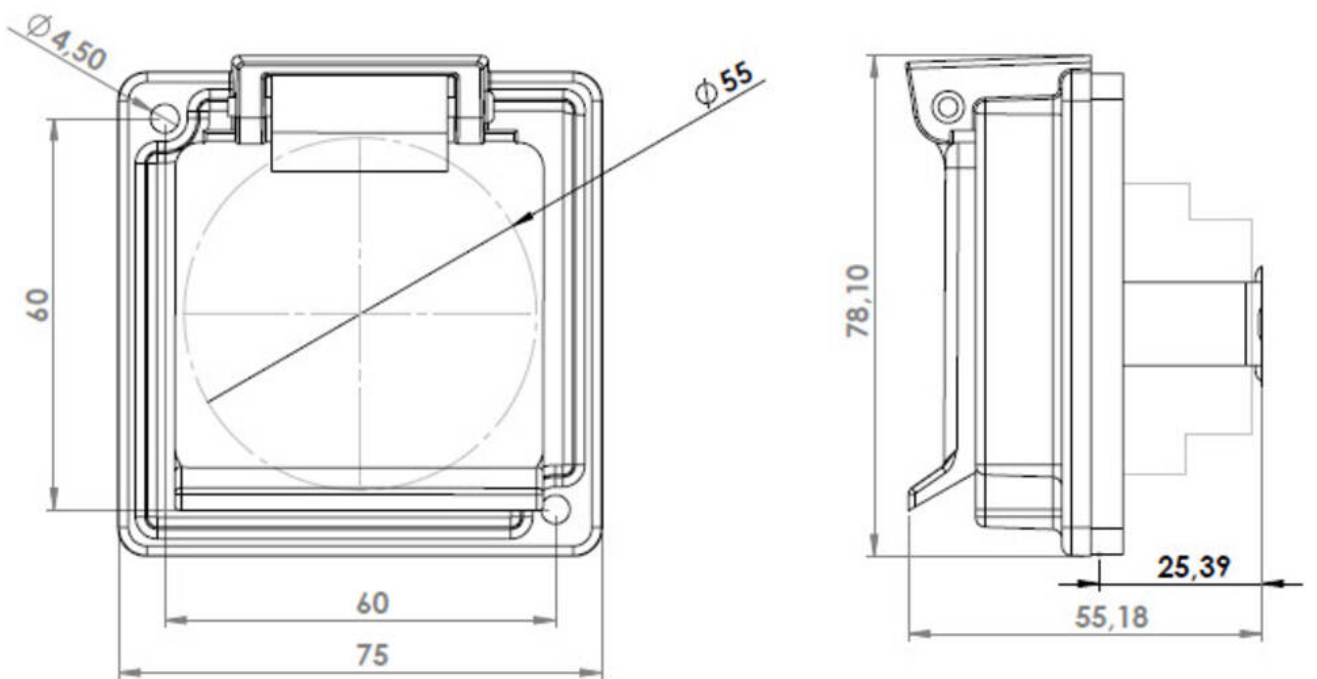
23.05.2026

Your Contact:

WISKA India Pvt. Ltd.

Mr. Omkar Ashar · Unit No.247/248,Raheja Tesla Industrial District II , Edison Bldg No.-1A,
Plot No.GEN2/1/C/PART, TTC Industrial Area, MIDC, Juinagar, Navi Mumbai 400705, India

☎ +91-22-4967-1438 · ☎ +91-22-4967-1439 · o.ashar@wiska.in · www.wiska.in



Your Contact:

WISKA India Pvt. Ltd.

Mr. Omkar Ashar · Unit No.247/248,Raheja Tesla Industrial District II , Edison Bldg No.-1A,
Plot No.GEN2/1/C/PART, TTC Industrial Area, MIDC, Juinagar, Navi Mumbai 400705, India

☎ +91-22-4967-1438 · ☎ +91-22-4967-1439 · o.ashar@wiska.in · www.wiska.in