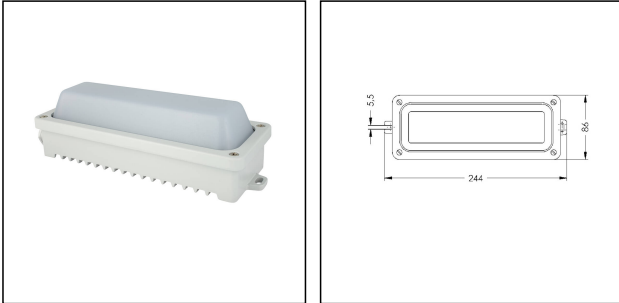



PL-Luminaire LED 3,1W 4307193

LED Multi-purpose luminaire 3,1W 230V, Aluminium RAL 7035, Cover opal, IP67



Products may differ in size, colour and appearance to those shown. If you require further information or customisation, please contact us directly.



WISKA-Order no.	50108666
Type	PL-Luminaire LED 3,1W 4307193
Material	Cast aluminium
Material globe/diffuser	Polycarbonate
Globe colour	Opal
Wattage	3 W
Voltage	230 V
Voltage min. (V)	220 V
Voltage max. (V)	240 V
Type of Voltage	AC
Frequence	50/60 Hz
Temp. range min	-25 °C
Temp. range max	45 °C
Lightsource	LED
Lightsource incl.	Yes
Power supply, electronic	50-60Hz, 220-230VAC
Type of cable gland	PG16 / 12-14mm
Ø cable diameter min	12 mm
Ø cable diameter max	14 mm
Using for cable gland	
Equipment	Aluminium pressure screws PG16, Guard
Mounting	Surface mounting, Wall, Ceiling
Colour	RAL 7035
External dimensions LxWxH	244x86x69mm
Weight	0,8 kg

Your Contact:

WISKA India Pvt. Ltd.

Mr. Omkar Ashar · Unit No.247/248,Raheja Tesla Industrial District II , Edison Bldg No.-1A,
 Plot No.GEN2/1/C/PART, TTC Industrial Area, MIDC, Juinagar, Navi Mumbai 400705, India

☎ +91-22-4967-1438 · ☎ +91-22-4967-1439 · o.ashar@wiska.in · www.wiska.in

Surface	Powder coated
Approval	SGS
Tariff number	94054990

Remarks:

- with shield frame IK10

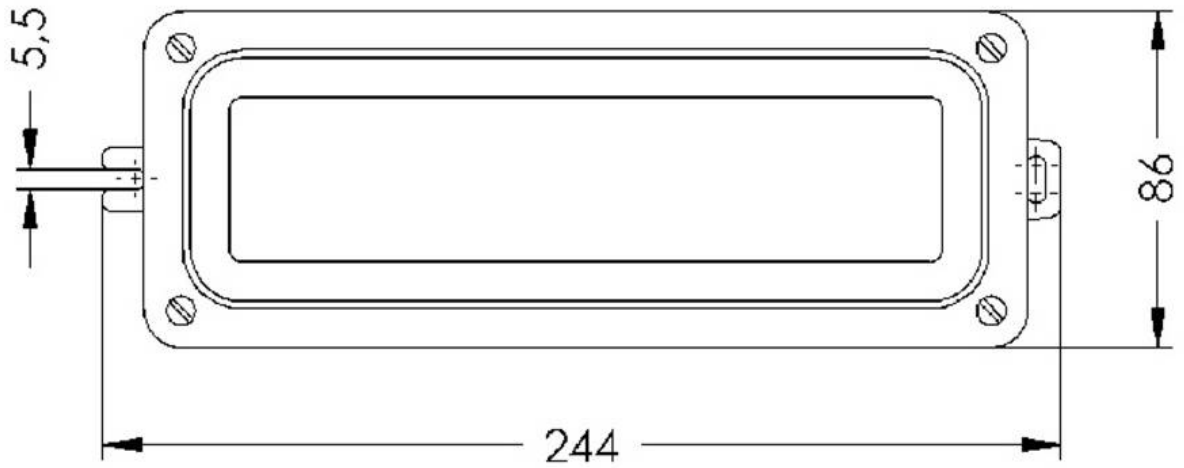
12.05.2026

Your Contact:

WISKA India Pvt. Ltd.

Mr. Omkar Ashar · Unit No.247/248,Raheja Tesla Industrial District II , Edison Bldg No.-1A,
Plot No.GEN2/1/C/PART, TTC Industrial Area, MIDC, Juinagar, Navi Mumbai 400705, India

☎ +91-22-4967-1438 · ☎ +91-22-4967-1439 · o.ashar@wiska.in · www.wiska.in



Your Contact:

WISKA India Pvt. Ltd.

Mr. Omkar Ashar · Unit No.247/248,Raheja Tesla Industrial District II , Edison Bldg No.-1A,
Plot No.GEN2/1/C/PART, TTC Industrial Area, MIDC, Juinagar, Navi Mumbai 400705, India

☎ +91-22-4967-1438 · ☎ +91-22-4967-1439 · o.ashar@wiska.in · www.wiska.in