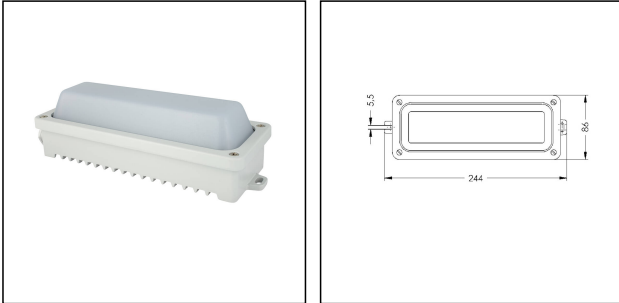



PL-Luminaire LED 6W 97430715624DC

LED Multi-purpose luminaire 6W 24V DC, Aluminium RAL 7035, Cover opal, IP67



Products may differ in size, colour and appearance to those shown. If you require further information or customisation, please contact us directly.



WISKA-Order no.	50108861
Type	PL-Luminaire LED 6W 97430715624DC
Material	Cast aluminium
Material globe/diffuser	Polycarbonate
Globe colour	Opal
Wattage	6 W
Voltage	24 V
Type of Voltage	DC
Temp. range min	-25 °C
Temp. range max	45 °C
Lightsource	LED
Lightsource incl.	Yes
Luminous flux	500 lm
Power supply, electronic	Low voltage 24VDC
Type of cable gland	PG16 / 12-14mm
Ø cable diameter min	12 mm
Ø cable diameter max	14 mm
Using for cable gland	
Equipment	Aluminium pressure screws PG16
Mounting	Surface mounting, Wall, Ceiling
Colour	RAL 7035
External dimensions LxWxH	244x86x69mm
Weight	0,74 kg
Surface	Powder coated
Approval	SGS

Your Contact:

WISKA India Pvt. Ltd.

Mr. Omkar Ashar · Unit No.247/248, Raheja Tesla Industrial District II , Edison Bldg No.-1A,
Plot No.GEN2/1/C/PART, TTC Industrial Area, MIDC, Juinagar, Navi Mumbai 400705, India

☎ +91-22-4967-1438 · ☎ +91-22-4967-1439 · o.ashar@wiska.in · www.wiska.in

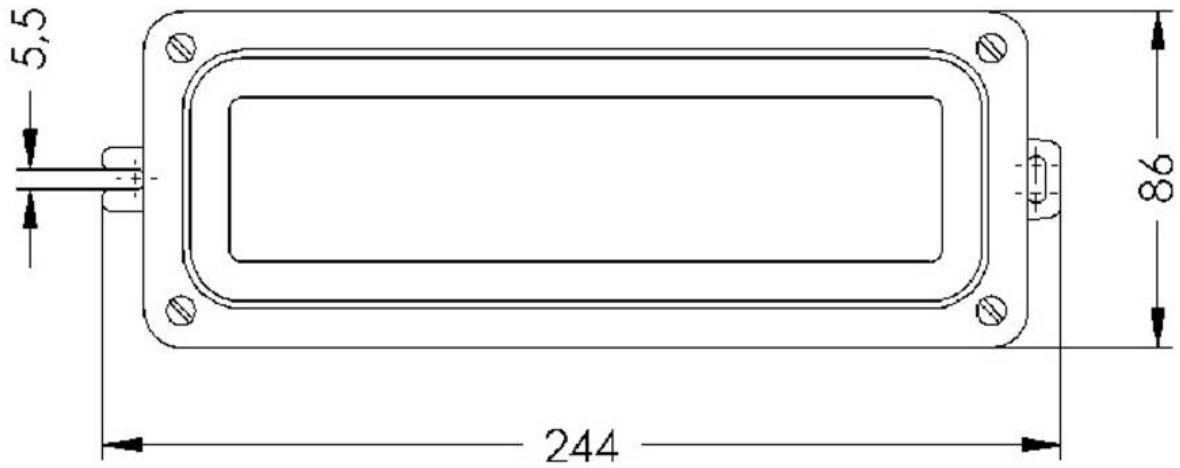
12.05.2026

Your Contact:

WISKA India Pvt. Ltd.

Mr. Omkar Ashar · Unit No.247/248,Raheja Tesla Industrial District II , Edison Bldg No.-1A,
Plot No.GEN2/1/C/PART, TTC Industrial Area, MIDC, Juinagar, Navi Mumbai 400705, India

☎ +91-22-4967-1438 · ☎ +91-22-4967-1439 · o.ashar@wiska.in · www.wiska.in



Your Contact:

WISKA India Pvt. Ltd.

Mr. Omkar Ashar · Unit No.247/248,Raheja Tesla Industrial District II , Edison Bldg No.-1A,
Plot No.GEN2/1/C/PART, TTC Industrial Area, MIDC, Juinagar, Navi Mumbai 400705, India

☎ +91-22-4967-1438 · ☎ +91-22-4967-1439 · o.ashar@wiska.in · www.wiska.in