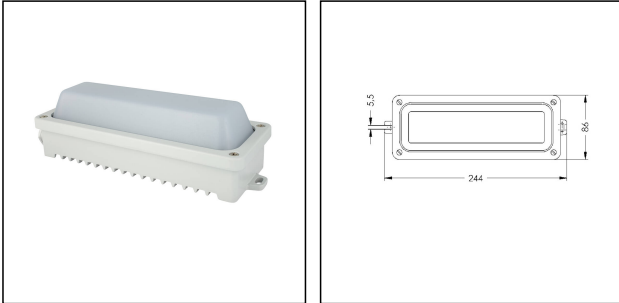



## PL-Luminaire LED 3,1W 4307103

LED Multi-purpose luminaire 3,1W 230V, Aluminium brown, Cover opal, IP67



Products may differ in size, colour and appearance to those shown. If you require further information or customisation, please contact us directly.



<b>WISKA-Order no.</b>	50108863
<b>Type</b>	PL-Luminaire LED 3,1W 4307103
<b>Material</b>	Cast aluminium
<b>Material globe/diffuser</b>	Polycarbonate
<b>Globe colour</b>	Opal
<b>Wattage</b>	3 W
<b>Voltage</b>	230 V
<b>Voltage min. (V)</b>	220 V
<b>Voltage max. (V)</b>	240 V
<b>Type of Voltage</b>	AC
<b>Frequency</b>	50/60 Hz
<b>Temp. range min</b>	-25 °C
<b>Temp. range max</b>	45 °C
<b>Lightsource</b>	LED
<b>Lightsource incl.</b>	Yes
<b>Luminous flux</b>	293 lm
<b>Power supply, electronic</b>	50-60Hz, 220-230VAC
<b>Type of cable gland</b>	PG16 / 12-14mm
<b>Ø cable diameter min</b>	12 mm
<b>Ø cable diameter max</b>	14 mm
<b>Using for cable gland</b>	
<b>Equipment</b>	Aluminium pressure screws PG16
<b>Mounting</b>	Surface mounting, Wall, Ceiling
<b>Colour</b>	Brown
<b>External dimensions LxWxH</b>	244x86x69mm

Your Contact:

WISKA India Pvt. Ltd.

Mr. Omkar Ashar · Unit No.247/248,Raheja Tesla Industrial District II , Edison Bldg No.-1A,  
Plot No.GEN2/1/C/PART, TTC Industrial Area, MIDC, Juinagar, Navi Mumbai 400705, India

☎ +91-22-4967-1438 · ☎ +91-22-4967-1439 · o.ashar@wiska.in · www.wiska.in

<b>Weight</b>	0,74 kg
<b>Surface</b>	Powder coated
<b>Approval</b>	SGS

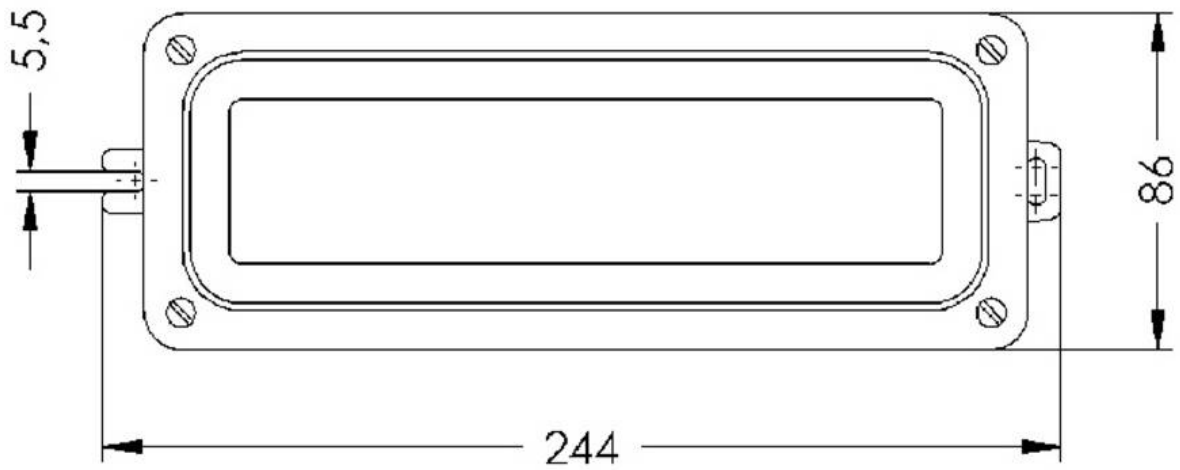
12.05.2026

Your Contact:

**WISKA India Pvt. Ltd.**

Mr. Omkar Ashar · Unit No.247/248,Raheja Tesla Industrial District II , Edison Bldg No.-1A,  
Plot No.GEN2/1/C/PART, TTC Industrial Area, MIDC, Juinagar, Navi Mumbai 400705, India

☎ +91-22-4967-1438 · ☎ +91-22-4967-1439 · o.ashar@wiska.in · www.wiska.in



Your Contact:

**WISKA India Pvt. Ltd.**

Mr. Omkar Ashar · Unit No.247/248,Raheja Tesla Industrial District II , Edison Bldg No.-1A,  
Plot No.GEN2/1/C/PART, TTC Industrial Area, MIDC, Juinagar, Navi Mumbai 400705, India

☎ +91-22-4967-1438 · ☎ +91-22-4967-1439 · o.ashar@wiska.in · www.wiska.in