

## SP-HML-ISO 35 Power Pack

Battery in housing with concentric socket as a spare part for daytime signalling searchlight HML-ISO 35.

One battery pack (PB-Gel) with 12 V/ 11.3 Ah is built-in in the power pack. The battery has a lifespan of 3-5 years in standby-mode or more than 260 cycles at 100% discharge in cycle service. The HML-ISO 35 Power-Pack is rechargeable, highly efficient, leak proof and maintenance-free.



Products may differ in size, colour and appearance to those shown. If you require further information or customisation, please contact us directly.

<b>WISKA-Order no.</b>	22000465
<b>Type</b>	SP-HML-ISO 35 Power Pack
<b>Voltage</b>	12 V
<b>Temperature range</b>	-20 °C to + 55°C
<b>Weight</b>	3.25 kg
<b>Dimensions</b>	W 175 x H 180 x D 120 mm

### Battery characteristics



<b>Cells per unit</b>	6
<b>Voltage</b>	12 V DC
<b>Capacity</b>	580W (5min-rate to Watt(1.60V)/pcs 25°C (77 °F)
<b>Maximum discharge current</b>	130 A (5 s)
<b>Internal resistance</b>	Approx. 12.5 mOhms
<b>Operating temperature range</b>	Discharge: -15°C ~50°C (5°F ~122°F) Charge: -15°C ~40°C (5°F ~104°F) Storage: -15°C ~40°C (5°F ~104°F)
<b>Nominal operating temperature range</b>	25° +/- 3°C (77° +/-5°F)
<b>Float charging Voltage</b>	13.5 to 13.8 VDC / unit Average at 25°C (77°F)
<b>Recommended maximum charging current limit</b>	3.76A
<b>Equalization and cycle service</b>	14.4 to 15.0 VDC/unit Average at25°C (77 °F)
<b>Self-discharge</b>	Batteries can be stored for more than 6 months at 25°C (77°F). Please charge batteries before using. For higher temperatures the time interval is shorter
<b>Terminal</b>	F2-Faston Tab 250
<b>Battery container material</b>	ABS (UL 94-HB/File E50263)

20.10.2021

Your Contact:

**WISKA Hoppmann GmbH**

Kisdorfer Weg 28 · 24568 Kaltenkirchen · Germany

 +49-4191-508-0 ·  +49-4191-508-209

contact@wiska.de · www.wiska.com

**Constant current discharge characteristics unit: A (25°C, 77°F)**

F.V/Time	2MIN	3MIN	4MIN	5MIN	6MIN	7MIN	8MIN	10MIN	15MIN	20MIN	30MIN	60MIN	90MIN
1.60V	95.1	75.5	63.4	54.1	47.2	42.3	38.5	32.3	23.0	18.3	13.2	7.42	5.31
1.67V	85.3	71.0	60.2	51.7	45.6	41.2	37.6	31.7	22.7	18.1	13.0	7.33	5.20
1.70V	81.1	68.3	58.4	50.4	44.6	40.4	37.1	31.3	22.7	18.0	12.9	7.24	5.17
1.75V	73.6	62.6	53.7	47.2	42.2	38.5	35.6	30.1	22.1	17.5	12.7	7.11	5.03
1.80V	66.1	56.8	48.8	43.2	39.3	36.3	33.2	28.4	21.1	16.9	12.4	6.92	4.91
1.85V	59.4	49.7	43.5	39.3	36.3	32.9	30.3	26.1	19.6	15.8	11.7	6.61	4.70

**Constant power discharge characteristics unit: A (25°C, 77°F)**

F.V/Time	2MIN	3MIN	4MIN	5MIN	6MIN	7MIN	8MIN	10MIN	15MIN	20MIN	30MIN	60MIN	90MIN
1.60V	908	774	663	580	516	469	427	361	261	208	150	84.2	59.3
1.67V	877	748	643	565	504	462	420	356	261	206	149	84.0	58.9
1.70V	859	730	630	556	499	453	414	353	258	206	149	83.6	58.8
1.75V	808	688	601	538	481	441	402	343	254	203	148	83.1	58.4
1.80V	750	640	568	505	458	419	383	329	245	197	145	81.7	57.6
1.85V	674	586	514	463	424	384	352	305	229	186	138	78.9	55.6

**Charging procedures**

Application	Charge Voltage (V/Cell)			Max. charge current
	Temperature	Set point	Allowable range	
Cycle use	25°C (77°F)	2.45	2.40~2.50	0.1 PA
Standby	25°C (77°F)	2.275	2.25~2.30	

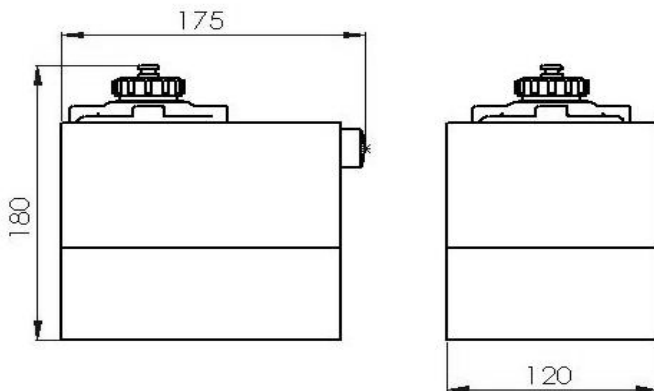
**Discharge current vs. discharge voltage**

Final discharge Voltage V/Cell	1.75	1.70	1.60	1.30
Discharge power (W)	0.1P>(W)	0.1P (W)<0.25P	0.25P (W)<1.0P	(W) 1.0P

**Capacity depending on the temperature**

Temperature	Capacity
40°C (104°F)	102%
25°C (77°F)	100%
0°C (32°F)	85%
-15°C (5°F)	65%

**Dimensional Drawing**



Your Contact:

**WISKA Hoppmann GmbH**

Kisdorfer Weg 28 · 24568 Kaltenkirchen · Germany

+49-4191-508-0 · +49-4191-508-209

contact@wiska.de · www.wiska.com